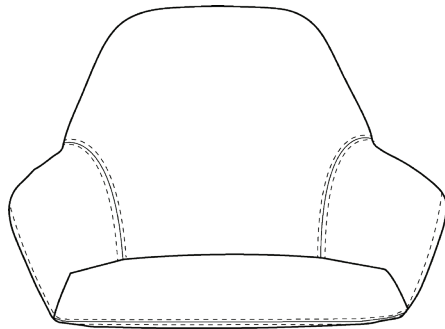


BRONTE METERAGE

Plain Fabric or Vinyl

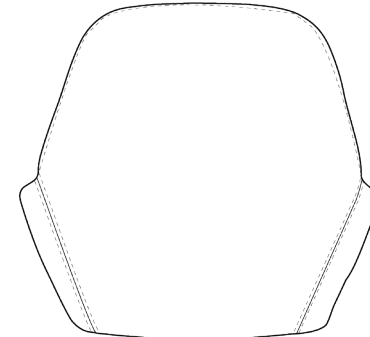
MINIMUM ROLL WIDTH: 1350mm **1 ROLL COMPLETE SHELL:** 22pcs (anything over will need a margin factored into calculations)



FRONT



SIDE

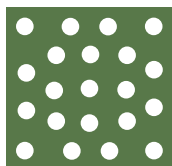


BACK

LM / PC		1pc	2pc	3pc	4pc	5pc	6pc	7pc	8pc	9pc	10pc
OPTION 1	Complete Shell	1.4	2.7	4.1	5.4	6.8	8.1	9.5	10.8	12.2	13.5
OPTION 2	Seat	0.6	0.7	1.4	1.4	2.1	2.1	2.8	2.8	3.5	3.5
	Back	1.3	2.5	3.8	5.0	6.3	7.5	8.8	10	11.3	12.5
OPTION 3	Seat	0.6	0.7	1.4	1.4	2.1	2.1	2.8	2.8	3.5	3.5
	Face of Back	0.6	0.7	1.4	1.4	2.1	2.1	2.8	2.8	3.5	3.5
	Back of Back	0.7	1.1	2.2	2.2	3.3	3.3	4.4	4.4	5.5	5.5

*ALWAYS contact the sales team to confirm meterage (especially for high volume orders)

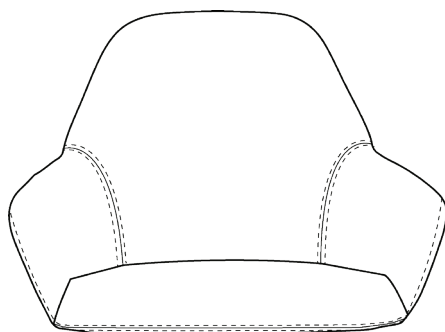
[View Catalogue -->](#)



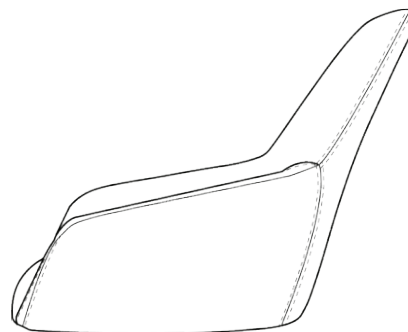
BRONTE METERAGE

Small Pattern / Split / Velvet / With Backing Fabric or Vinyl

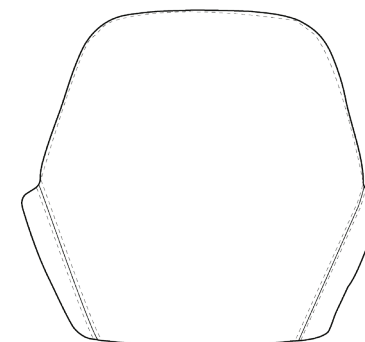
MINIMUM ROLL WIDTH: 1350mm **1 ROLL COMPLETE SHELL:** 18pcs (anything over will need a margin factored into calculations)



FRONT



SIDE

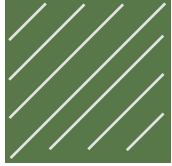


BACK

LM / PC		1pc	2pc	3pc	4pc	5pc	6pc	7pc	8pc	9pc	10pc
OPTION 1	Complete Shell	1.7	3.3	5	6.5	8.2	9.8	11.4	13	14.7	16.2
OPTION 2	Seat	0.8	0.9	1.7	1.7	2.6	2.6	3.4	3.4	4.2	4.2
	Back	1.6	3	4.6	6	7.6	9	10.6	12	13.6	15
OPTION 3	Seat	0.8	0.9	1.7	1.7	2.6	2.6	3.4	3.4	4.2	4.2
	Face of Back	0.8	1.4	2.6	2.6	3.9	3.9	5.1	5.1	6.4	6.4
	Back of Back	0.9	1.4	2.7	2.7	4	4	5.3	5.3	6.6	6.6

*ALWAYS contact the sales team to confirm meterage (especially for high volume orders)

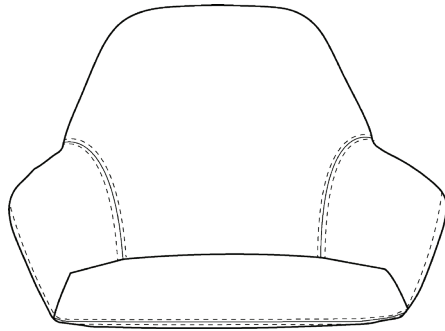
[View Catalogue -->](#)



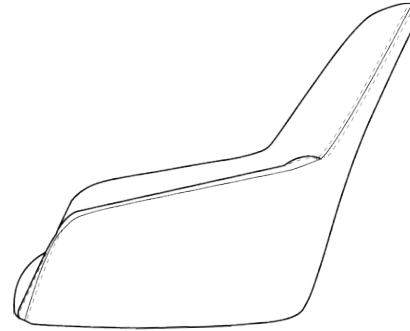
BRONTE METERAGE

Large Pattern / Striped Fabric or Vinyl

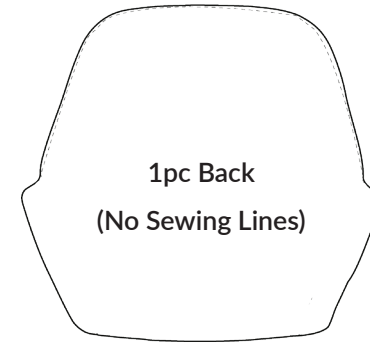
MINIMUM ROLL WIDTH: 1350mm



FRONT



SIDE



BACK

LM / PC		1pc	2pc	3pc	4pc	5pc	6pc	7pc	8pc	9pc	10pc
OPTION 1	Seat	0.8	0.9	1.7	1.7	2.6	2.6	3.4	3.4	4.2	4.2
	Face of Back	0.8	1.4	2.6	2.6	3.9	3.9	5.1	5.1	6.4	6.4
	Back of Back (1 Piece)	1.4	1.8	3.2	3.6	5	5.4	6.8	7.2	8.6	9

*ALWAYS contact the sales team to confirm meterage (especially with long vertical pattern repeats).

*Additional meterage will be required for panel pattern matching or fabric with long vertical repeats.

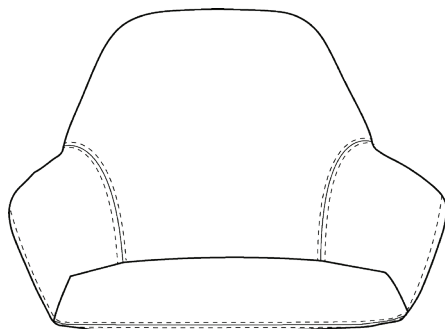
[View Catalogue -->](#)



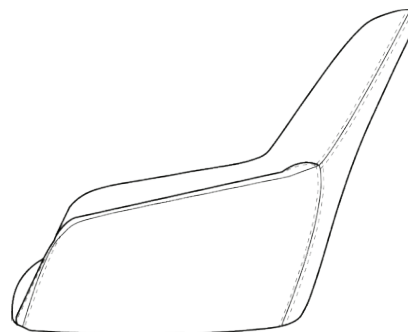
BRONTE METERAGE

Leather Hide

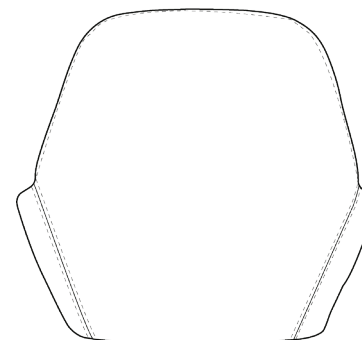
AVERAGE HIDE SIZE: 4-5m² (Number of hides required is subject to hide meterage). Our leather M² includes a wastage factor due to variation in hide shapes & presence of natural markings.



FRONT



SIDE



BACK

M ² / PC		1pc	2pc	3pc	4pc	5pc	6pc	7pc	8pc	9pc	10pc
OPTION 1	<i>Complete Shell</i>	2.3	4.6	6.9	9.2	11.5	13.8	16.1	18.4	20.7	23

*ALWAYS contact the sales team to confirm meterage (especially for high volume orders)

[View Catalogue -->](#)